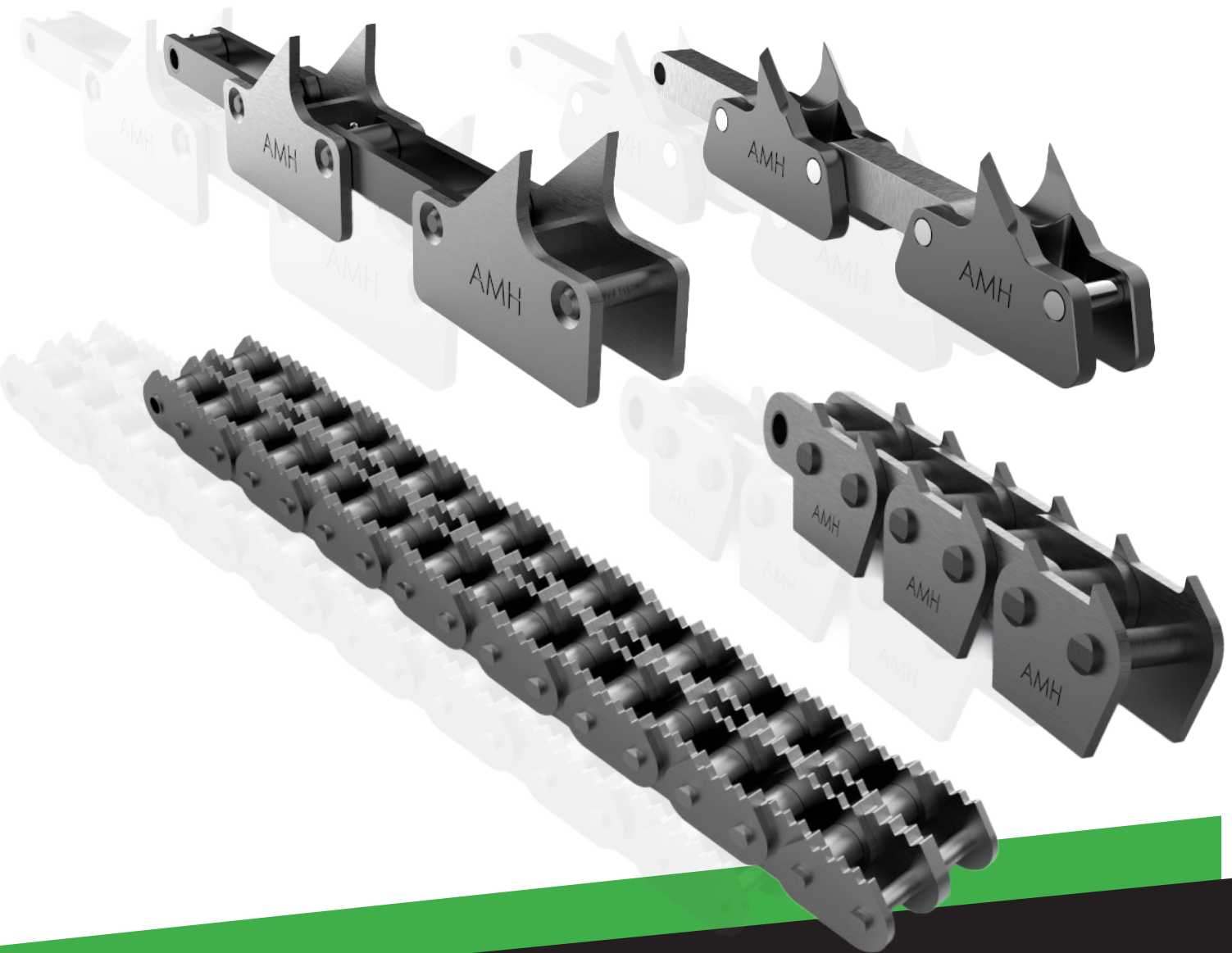
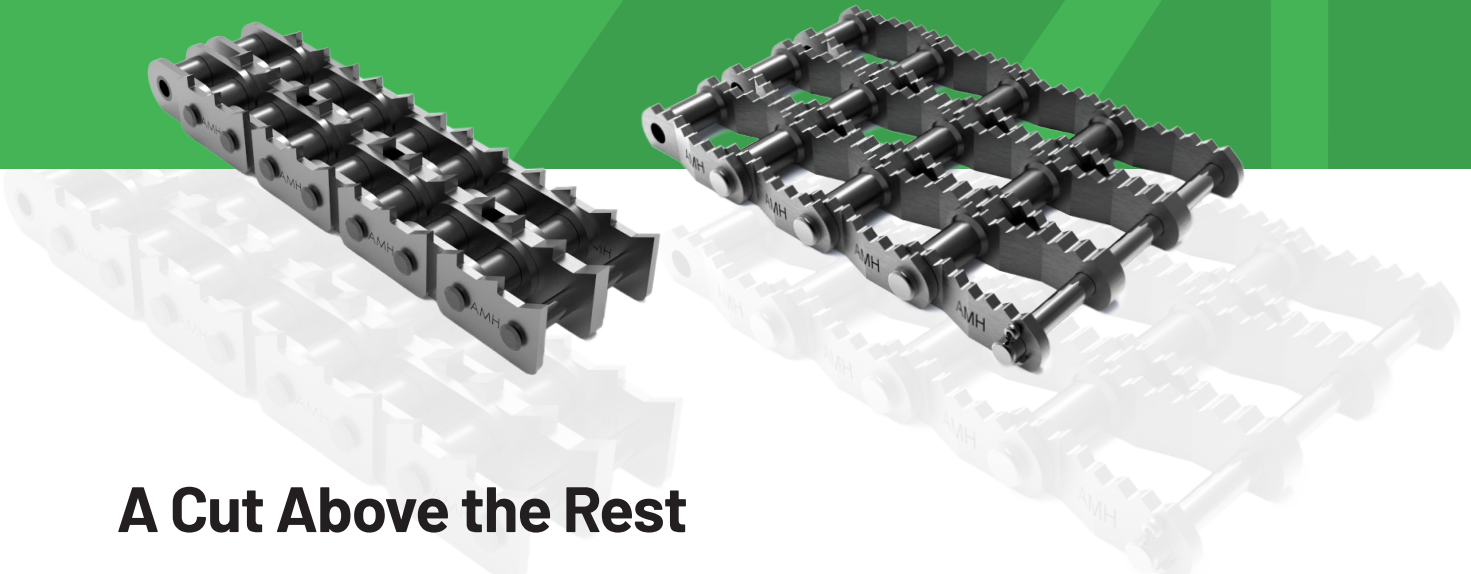


Cutting Costs,
Extending Life –
**Engineered for
Unmatched Strength
and Reliability!**



Unlock Unmatched Efficiency with Advanced Material Handling's SHARP TOP CHAINS



A Cut Above the Rest

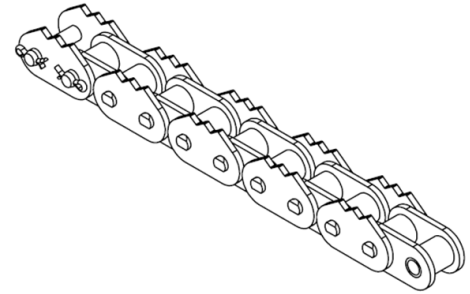
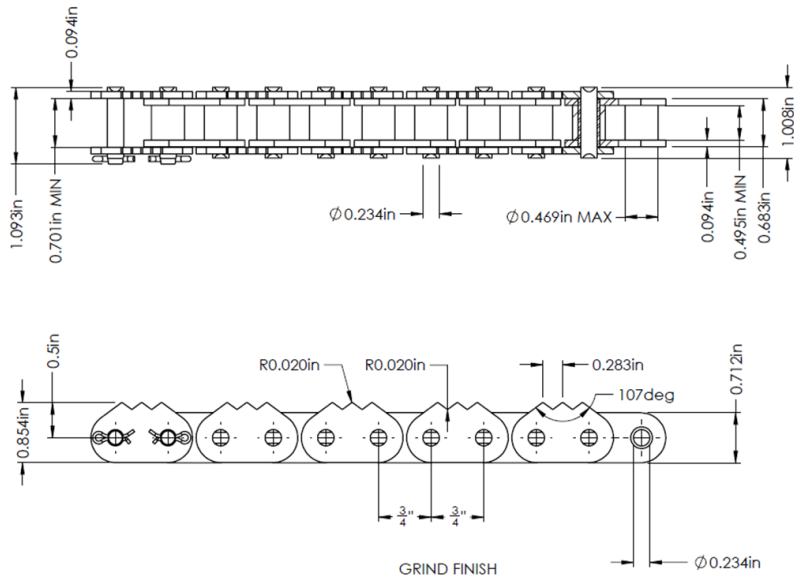
When it comes to material handling, choosing the right chain can dramatically impact your operation's productivity and bottom line. Advanced Material Handling's Sharp Top Chains are expertly designed to provide longer wear life, increased productivity, and lower operating costs, making them the premier choice for your needs.

Benefits You Can Trust:

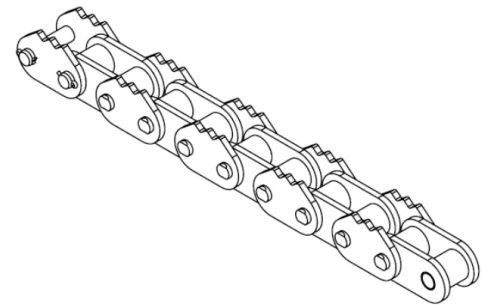
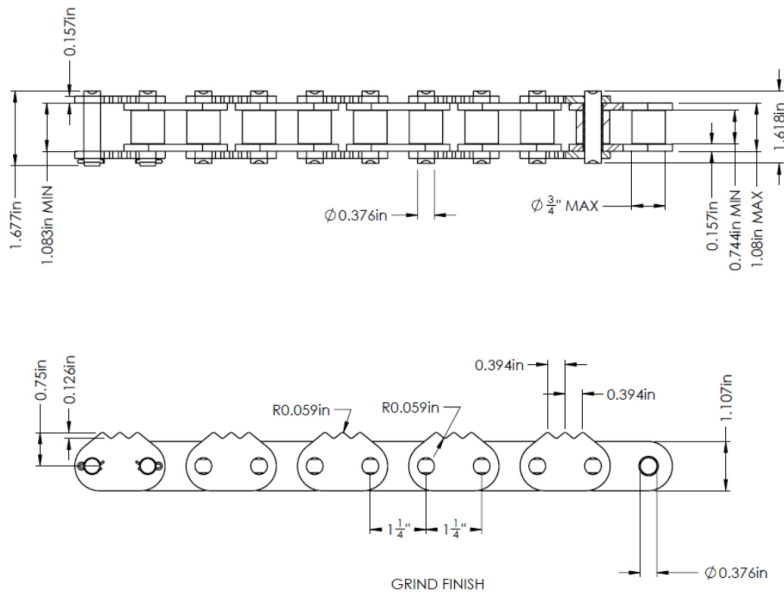
- **Advanced Heat Treatment & Shot Peening:** Engineered for extended wear life, our chains are built to withstand the toughest conditions. The specially heat-treated side plates provide superior protection against wear, fatigue, and cracking, especially in high-speed applications.
- **Chrome Hardened Pins:** Designed for durability, these pins resist wear to ensure long-lasting performance.
- **Precision Honed and Machined Bottoms:** Experience enhanced productivity with seamless operation and reduced downtime. Our designs minimize the need for replacements, maximizing your operational efficiency.
- **Robust One-Piece Center Plates:** The solid construction ensures maximum strength, giving you confidence in performance.
- **Sturdy Solid Bushings:** Enhance reliability with bushings that can stand up to rigorous conditions.
- **Quad Staked Pins:** Providing extra security and stability to keep your operations running smoothly.
- **Engineered for Strength:** Featuring straight sidebars, every Sharp Top Chain is designed for exceptional strength, reducing the likelihood of unexpected failures and ensuring you meet the highest performance standards.
- **Precision Manufacturing:** With nearly two decades of experience, Advanced Material Handling ensures that every chain is manufactured to the highest standards of reliability and performance. Trust in our expertise for your operational needs.

Chain Specifics

60-1 ST (3 POINT) SHARP CHAIN - PART # 20-0901

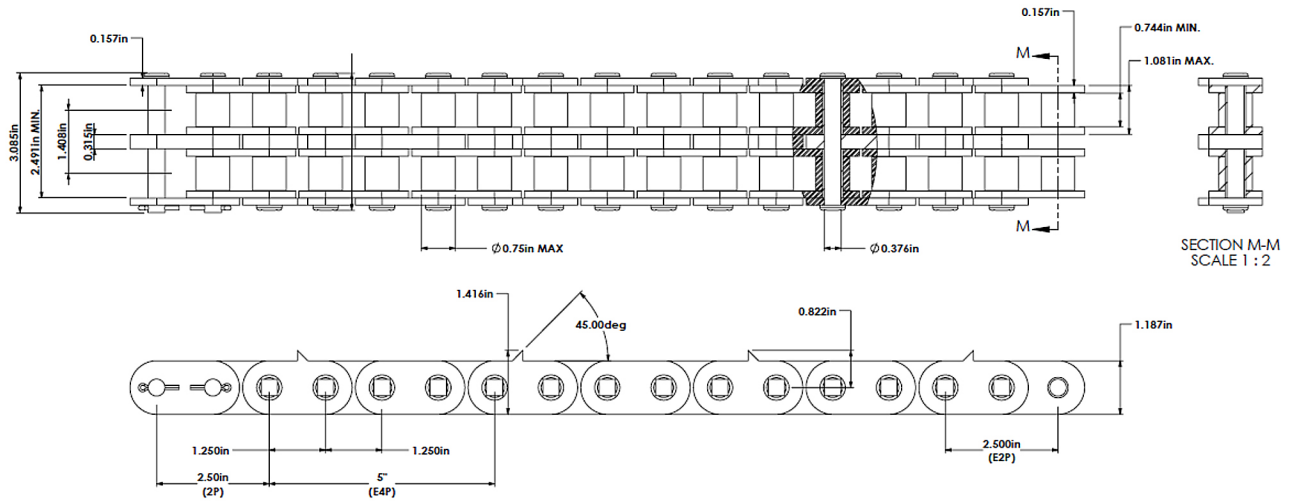


60-2 ST (3 POINT) SHARP CHAIN - PART # 20-0905

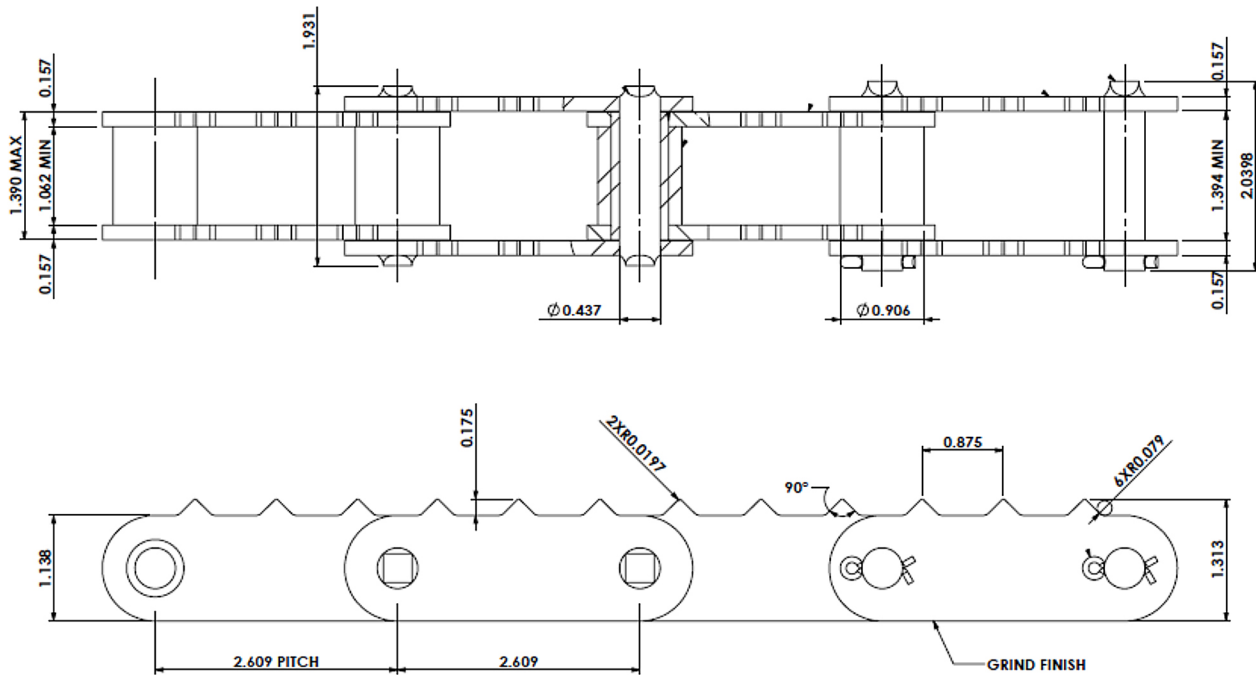


Chain Specifics

100-2 SHARP TOP CHAIN SINGLE POINT E4P ALT. DIRECTION - PART # 20-1374

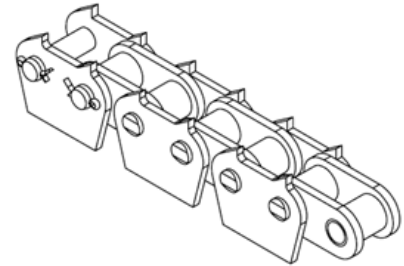
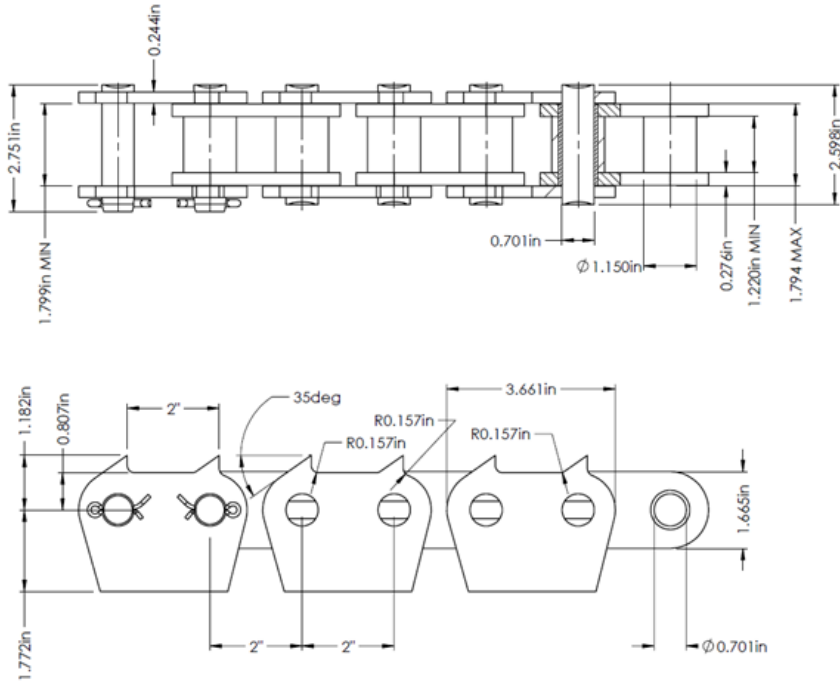


81X SHARP TOP - PART # 20-1372

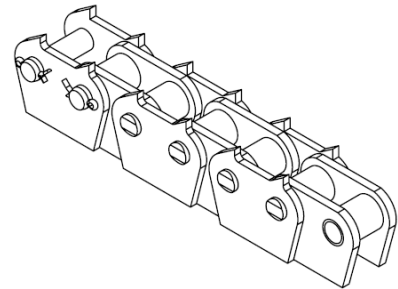
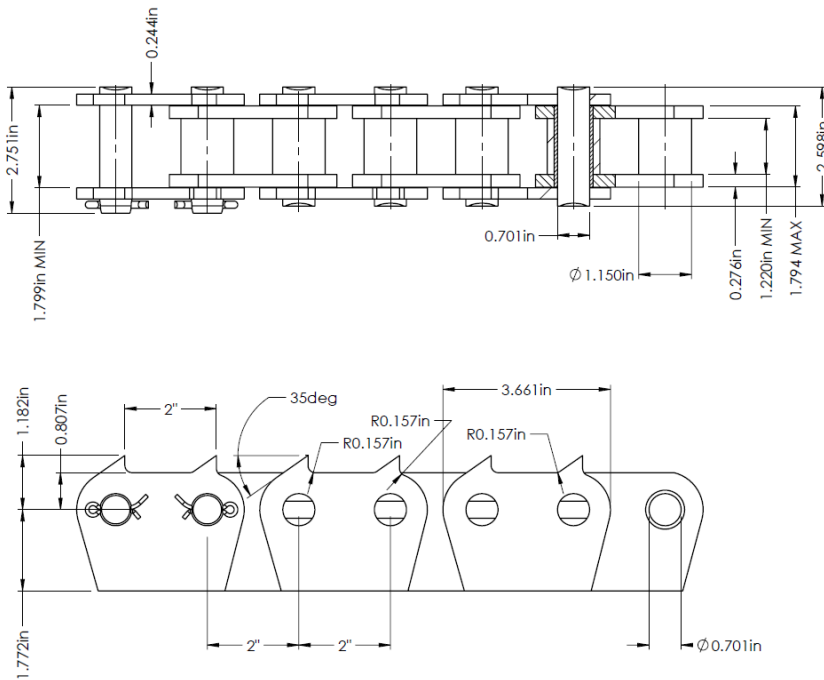


Chain Specifics

32B STD SHARP CHAIN - PART # 20-0928

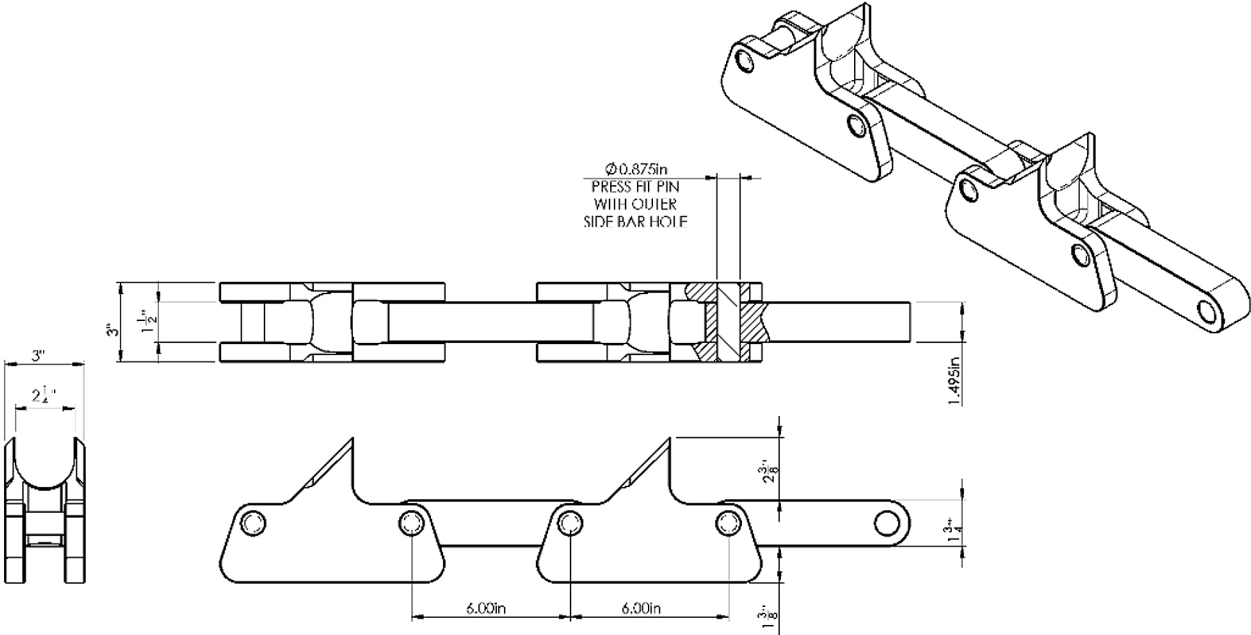


32B-1 DP EXT SHARP CHAIN - PART # 20-0941



Chain Specifics

SHARP TOP CHAIN 6" PITCH - PART # 20-0319





Choose Advanced Material Handling for Your Material Handling Needs!

With a complete line of high-quality, engineered products—including chains, sprockets, idlers, and conveyors. Advanced Material Handling is your one-stop solution for improving operations and lowering costs. Rely on our Sharp Top Chains to elevate your productivity and enhance your operational efficiency.



For More Information

Head Office

📍 2323 Millwright Dr
Abbotsford, BC V2T 6J8
☎️ 1-604-556-0881
📠 1-888-725-4304

USA Warehouse

📍 161 Bellamy Place,
Stockbridge, GA 30281
☎️ 770-274-4587
📠 1-888-725-4304

www.advancedmaterial.ca